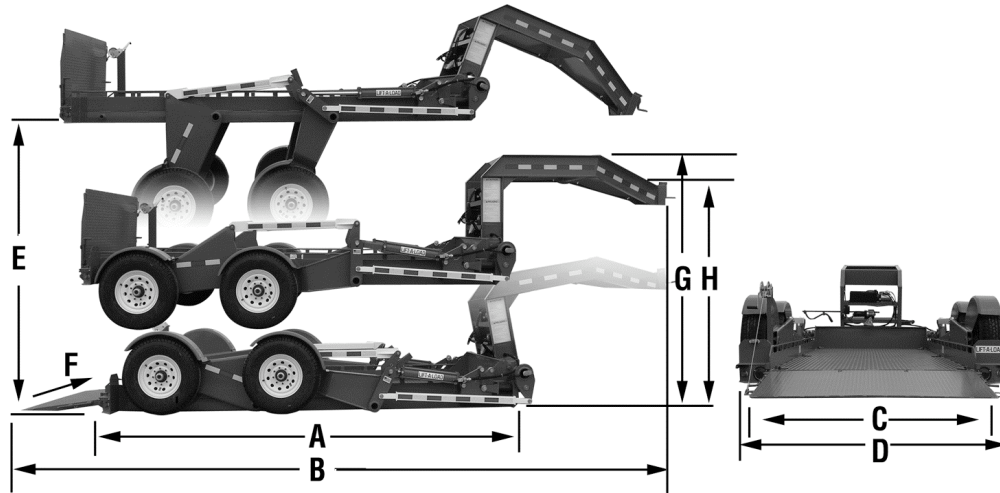


Dimensions and Loads



Dimensions:

A = 14' (168")
 B = 24'10" (298")
 C = 5'8" (68")
 D = 8' (96")
 E = 52" Top of Bed
 F = 6.5 Degree Load Angle
 G = 73" Trailer Transport Height
 H = 66" Bottom of G/N Transport Height
 Gooseneck Ball Height Range = 26.25" – 34.75" from ground

Loads:

7500 lbs Payload
 4125 lbs Trailer Weight
 933 lbs Hitch Empty Weight
 2058 lbs Hitch Fully Loaded Weight
 11625 lbs GVWR
 Two (2), 6000 lb Axles

Note: Need to have minimum of 17" between bottom of Gooseneck and tailgate.

Specifications and Features (Base Trailer)

Ground to Travel to Dock Height	DOT Lights & Reflectors	16 x 6, 8 Bolt Modular Wheels
2-5/16" Ball Hitch	Grade 55 - 3/16" Diamond Plate Flooring	12" x 2" Electric Brakes on 4 Wheels
4" Frame Depth	Fold Down Transport Locks	Tie Downs (6)
LT235/85R16E Tire Size	Hydraulic Safety Valves	Rear Platform Support Jacks
36" Tailgate Ramp	Single Pin Grounded +12 VDC Power Cable	Breakaway Kit with Chains
DC Electric / Hydraulic Pump	Blue with White Trim Standard	Drop Leg Jack

Options

Steel Sides (16") LALP9202	5/8" Tie Down Rail LALP9216	Hydraulic Pump Cover LALP3168
40" Fence Pkg..... LALP9208	Spare Tire Carrier..... LALP3042	Tailgate Winch (Hand)..... LALP9221
Xtra Bed Lgth p/ft LALP9232	Spare Tire w/ Wheel..... 600P6599	Special Paint Color LALP9227
Xtra Bed Width 6" LALP9237	Cargo Winch 8500# LALP4415	(Machinery Enamel Only)
Xtra Tie Downs LALP9212	Aux. Battery Hldr LALP3024	Jack Mounting Brkts..... LALP11417
On-Board Power LALP12396	(Battery not included)	

Items for Tow Vehicle (Installation not Included)

2-5/16" Retractable Ball 600P6450	Brake Controller..... 600P6221
Pump Power Cable LALP4351	