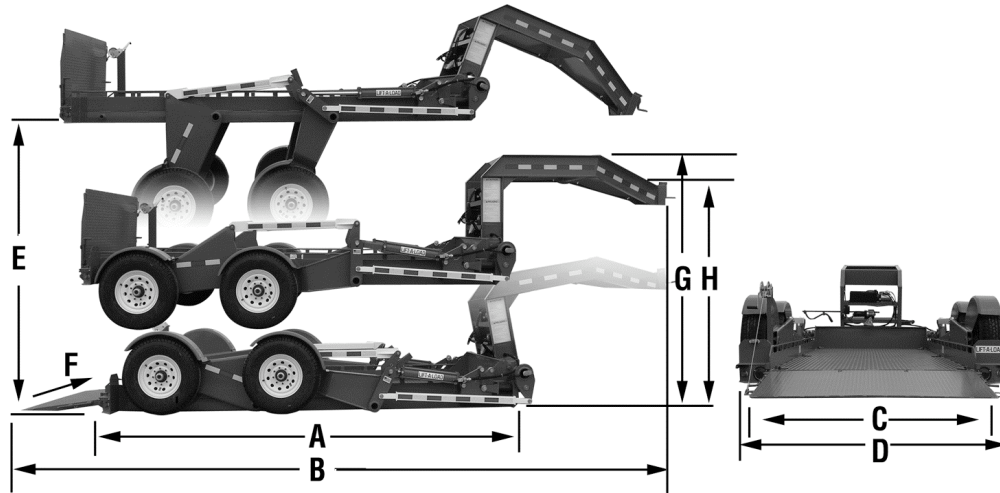


Dimensions and Loads



Dimensions:

A = 15' (180")
 B = 27'9" (331")
 C = 5'2" (62")
 D = 8' (96")
 E = 52" Top of Bed
 F = 9.5 Degree Load Angle
 G = 77" Trailer Transport Height
 H = 65" Bottom of G/N Transport Height
 Gooseneck Ball Height Range = 26.25" – 34.75" from ground

Loads:

15000 lbs Payload
 6940 lbs Trailer Weight
 1880 lbs Hitch Empty Weight
 4130 lbs Hitch Fully Loaded Weight
 21940 lbs GVWR
 Two (2), 9000 lb Axles

Note: Need to have minimum of 17" between bottom of Gooseneck and tailgate.

Specifications and Features (Base Trailer)

Ground to Travel to Dock Height	DOT Lights & Reflectors	17.5 x 6.75 8 Bolt Disc Wheels
3" Ball Hitch	Grade 55 - 3/16" Diamond Plate Flooring	12 -1/4"x3-3/8" Electric Brake on 4 Wheels
8" Frame Depth	Fold Down Transport Locks	Tie Downs (6)
215-75R17.5H Tire Size	Hydraulic Safety Valves	Rear Platform Support Jacks
48" Tailgate Ramp	Single Pin Grounded +12 VDC Power Cable	Breakaway Kit with Chains
DC Electric /Hydraulic Pump	Blue with White Trim Standard	Drop Leg Jack
	Tailgate Hand Winch	

Options

Steel Sides (17")..... LALP9204	Spare Tire Carrier..... LALP9219	5/8" Tie Down Rail..... LALP9217
40" Fence Pkg..... LALP9210	Spare Tire w/ Wheel..... LALP2961	Hydraulic Pump Cover LALP3173
Xtra Bed Lgth p/ft LALP9234	Cargo Winch 8500# LALP9220	Special Paint Color LALP9229
Xtra Bed Width 6" LALP9239	Aux. Battery Hldr LALP3024	(Machinery Enamel Only)
Xtra Tie Downs LALP9213	(Battery not included)	
On-Board Power LALP12396		

Items for Tow Vehicle (Installation not Included)

3" Hitch Ball..... 600P6449	Brake Controller..... 600P6221
Pump Power Cable LALP4351	